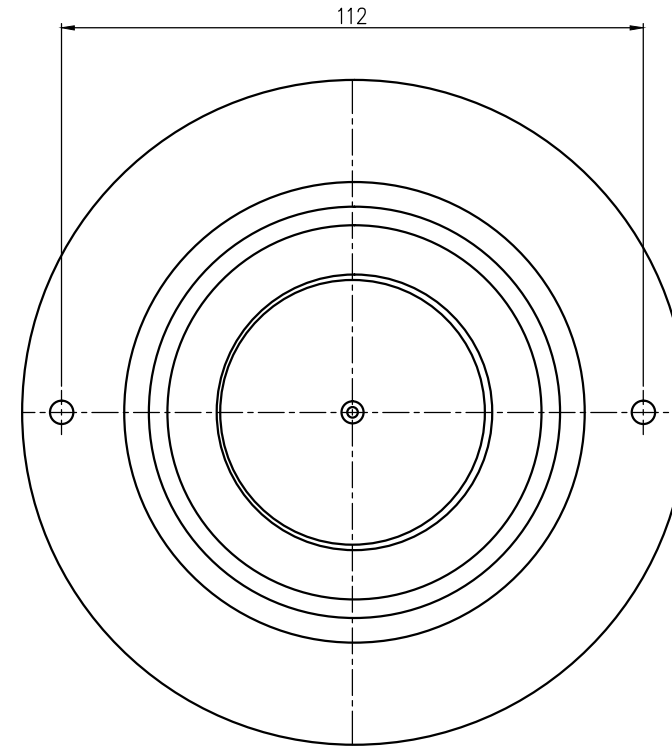
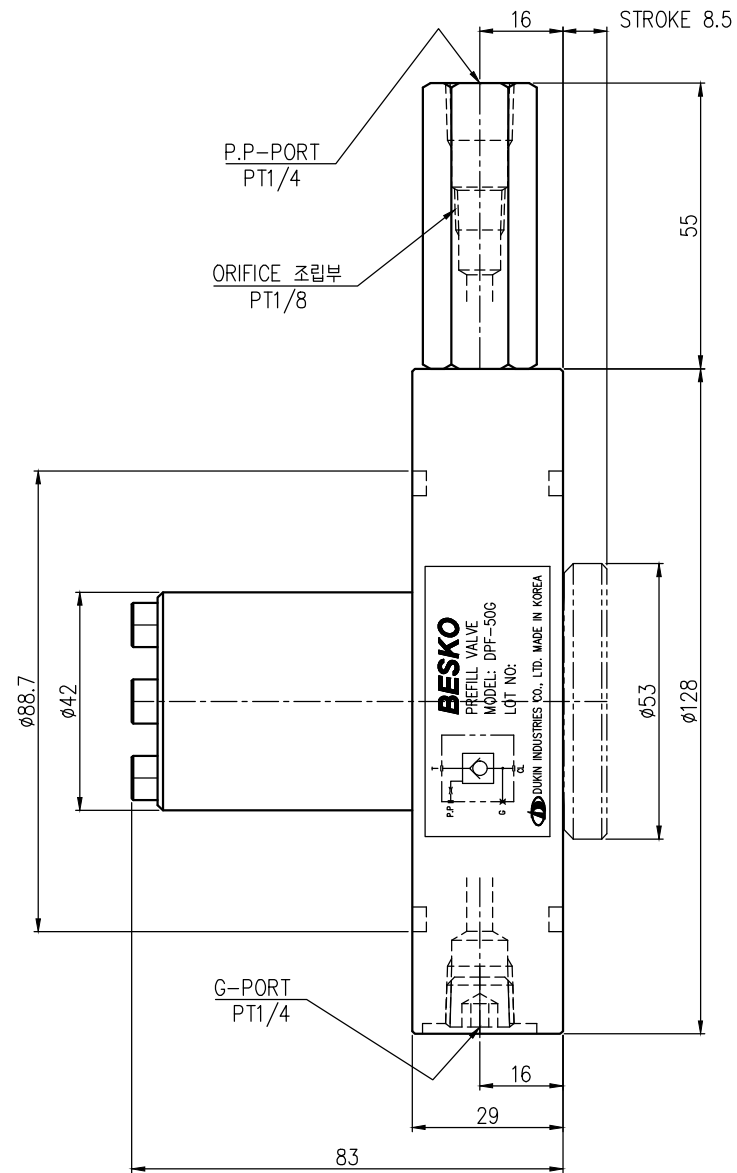
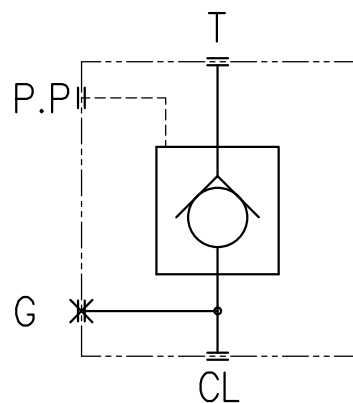


ITEM	DESCRIPTION	SIZE	MATERIAL	Q'TY	REMARKS
------	-------------	------	----------	------	---------



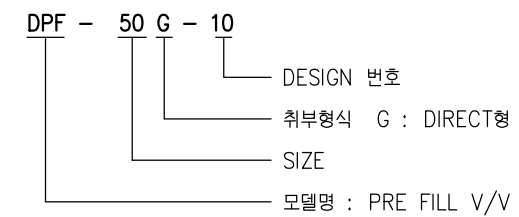
유압회로도



**SPECIFICATION**

1. 사용유 : ISO VG 46상당
2. 사용유온 : -10°C - 80°C (-20°C - 90°C / 5분간이내)
3. 최고사용압력 : 315 kgf/cm<sup>2</sup>
4. 정격유량 : T-CL(흡입) 250 l/min  
CL-T(배출) 500 l/min
5. 면적비 : 4.2/1 (SEAT면적/POPPET면적)

**형식기호설명**



<b>주식회사 덕인기공</b> DUKIN INDUSTRIES CO., LTD.		SCALE 1/1	DATE
PLANT FACILITY PREFILL VALVE		REFERENCE DWG. NO.	REV
TITLE DPF-50G ASS'Y		DRAWING NO.	REV
SIGN DESIGNED CHECKED REVIEWED APPROVED		DISKETTE NO.	
NO.	DATE	REVISIONS	Q'TY CHARGE APPROVED